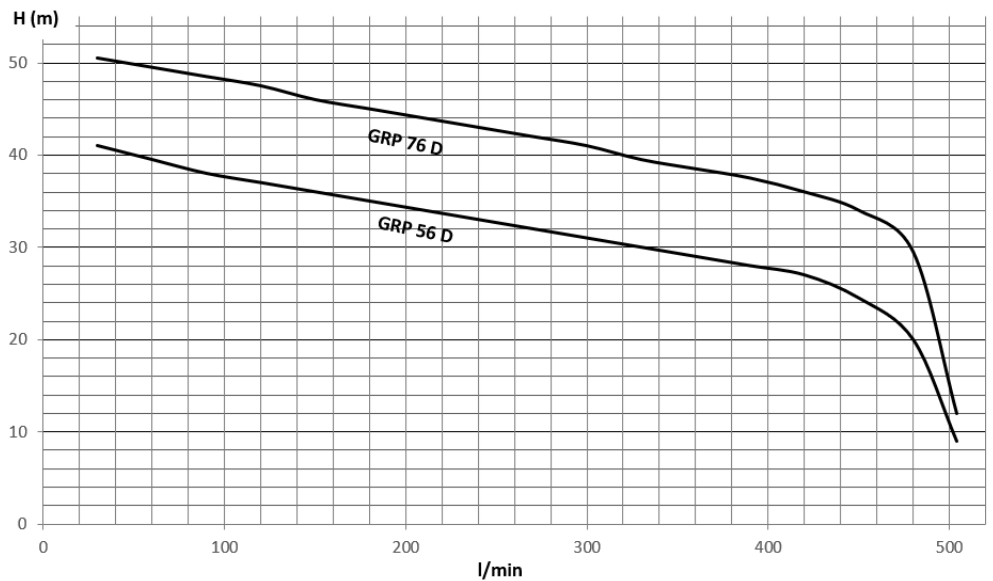
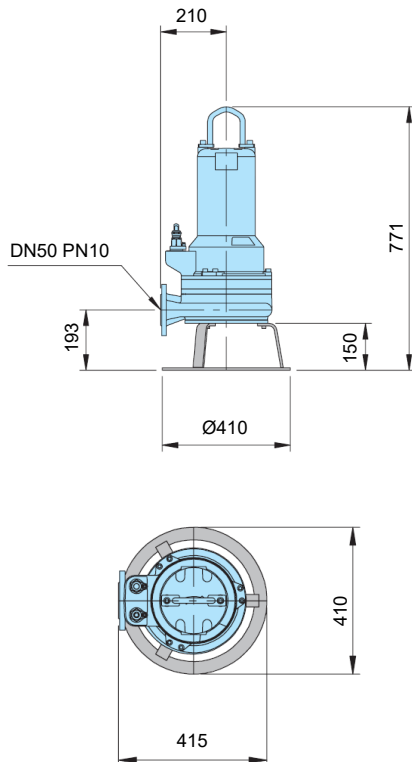


GRP 56 D - 76 D



Type Typ Tipo	n [t/min] [U/min]	P [kW]	3 ~ 400 V [A]	f [Hz]	DN [DN]	DN3 ["G]	Poids [kg] Gewicht [kg] Peso [kg]
GRP 56 D	2900	6.4	13	50	50	2"	104
GRP 76 D	2900	6.4	13	50	50	2"	104

Installation mobile / Mobil Ausführung



Installation fixe / Stationäre Ausführung

