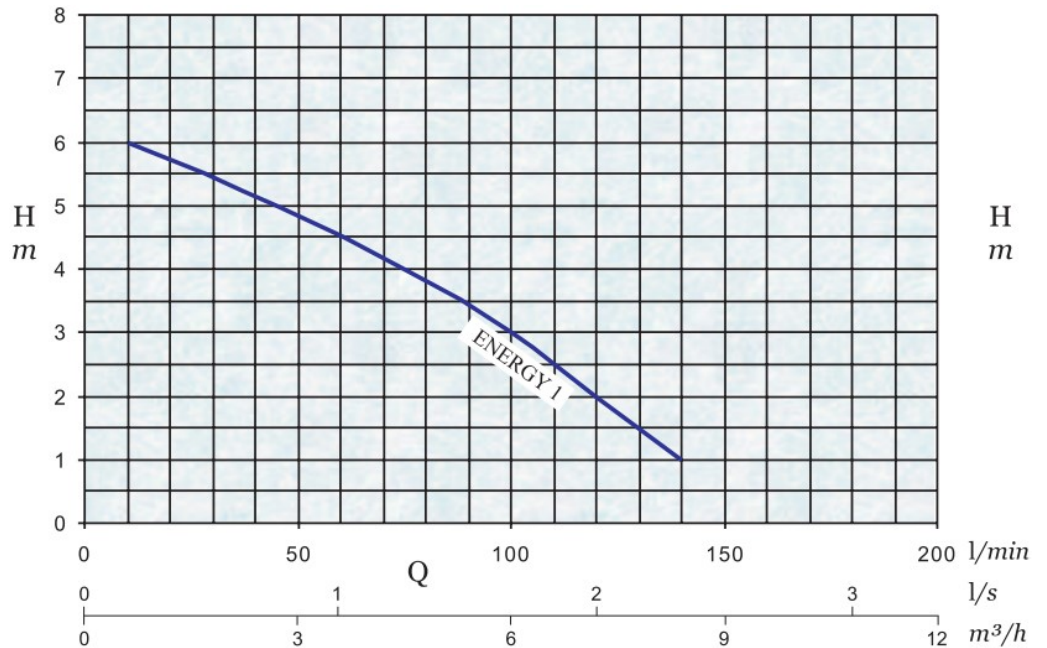


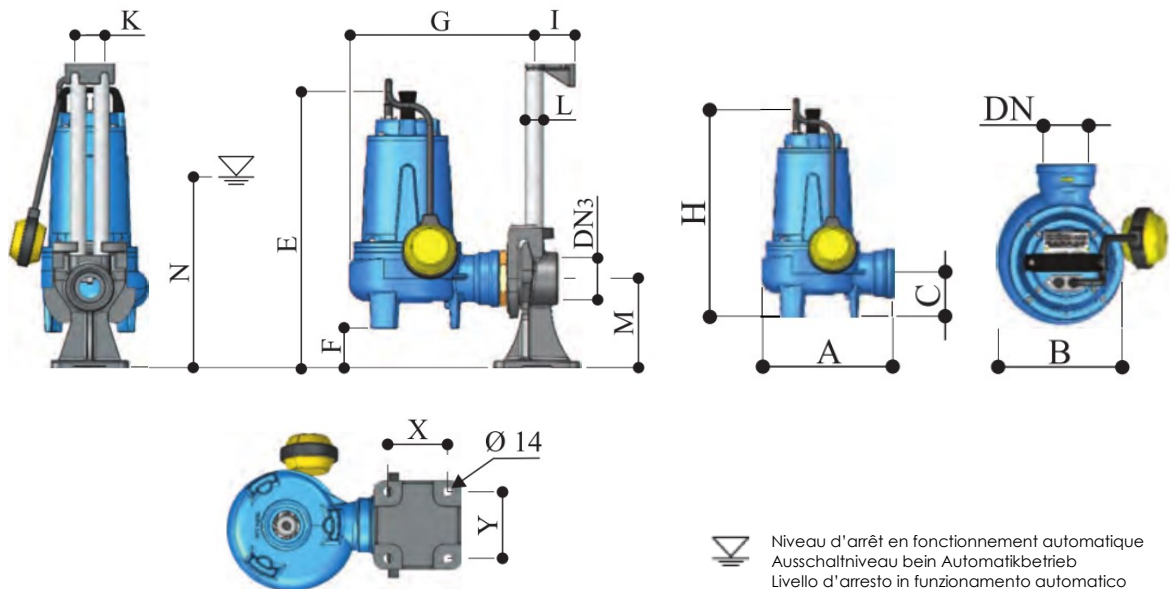
ENERGY 1



Passage libre 20 mm
Freier Durchgang 20 mm
Passaggio libero 20 mm



Type Typ Tipo	n [t/min] [U/min]	P [kW]	1 ~ 230 V		3 ~ 400 V	f [Hz]	DN ["G]	DN3 ["G]	Poids [kg] Gewicht [kg] Peso [kg]
			I [A]	C [μF]	I [A]				
ENERGY 1 M/T (A)	2850	0.30	2.2	8	0.85	50	1 1/4"	2"	9.0



Type / Typ / Tipo	E	F	G	I	K	L	M	N	X	Y	H	A	B	C
ENERGY 1 M/T (A)	351	88	193	59	37.5	3/4"	130	280	85	94	263	151	135	42